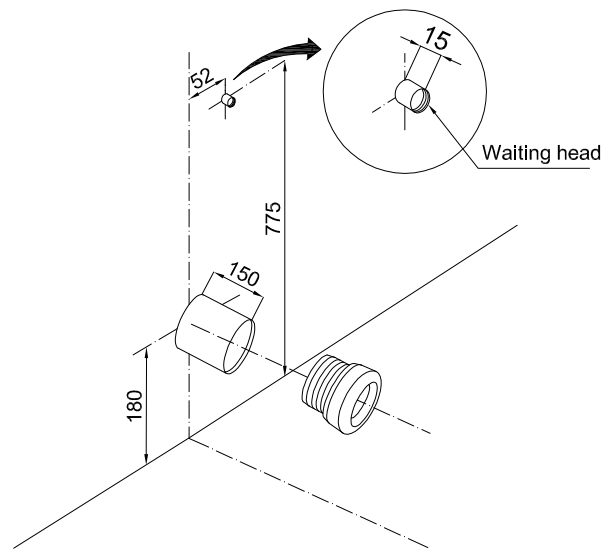
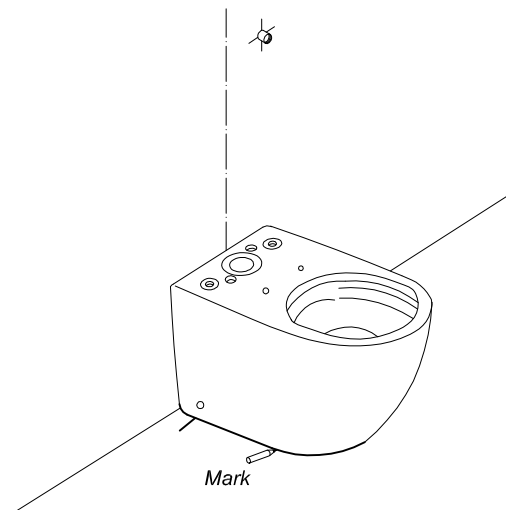


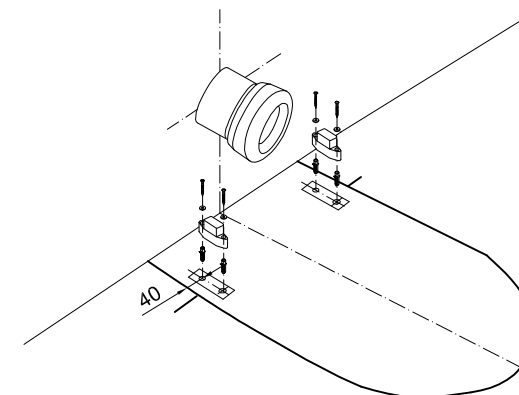
1. Install the rough in.



2. Place the toilet into installation position then mark fixed holes and toilet leg.

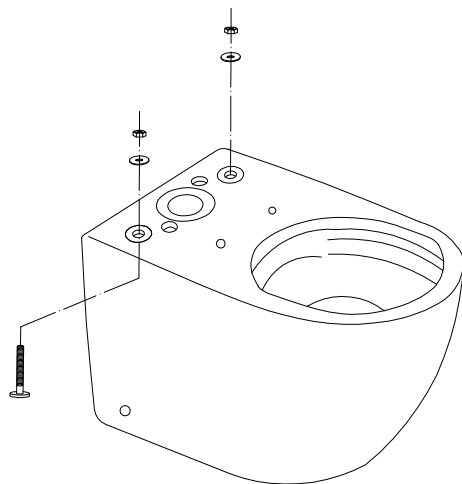


3. Drill the holes to fix the toilet then install the fixed plate.

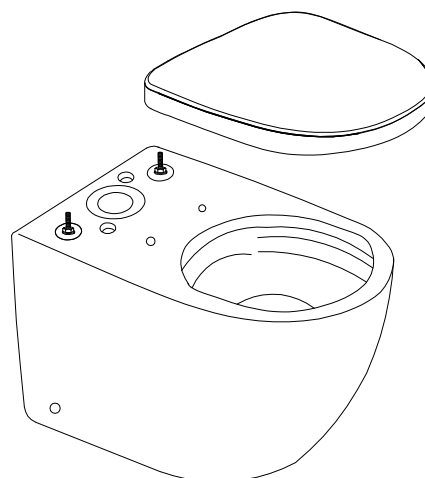


Note: Clean the floor after drill.

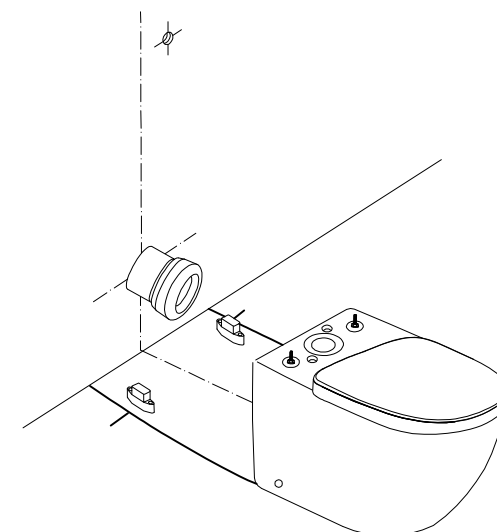
4. Install the bolt with the body toilet.



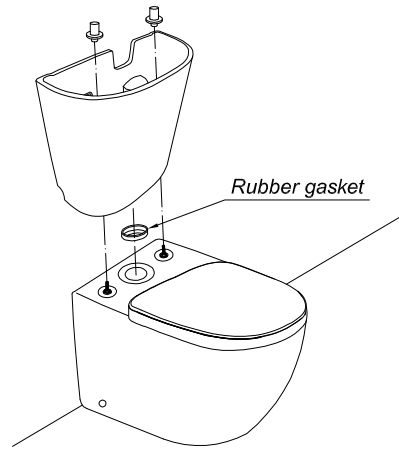
5. Install the seat & cover.
Refer installation manual attached to seat & cover.



6. Install the toilet onto the floor.

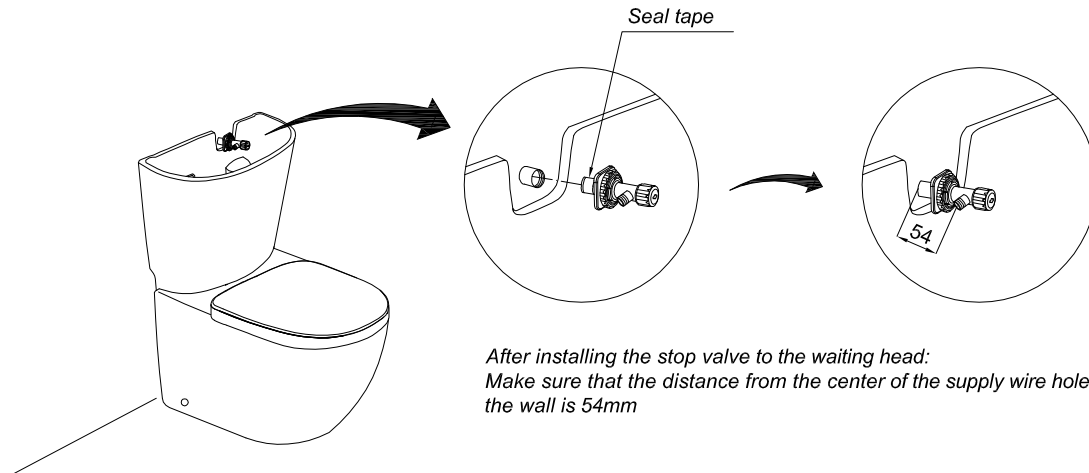


7. Install the tank with the toilet body.



Note: Have to place the rubber gasket right into center of outlet hole. Otherwise may be water leakage.

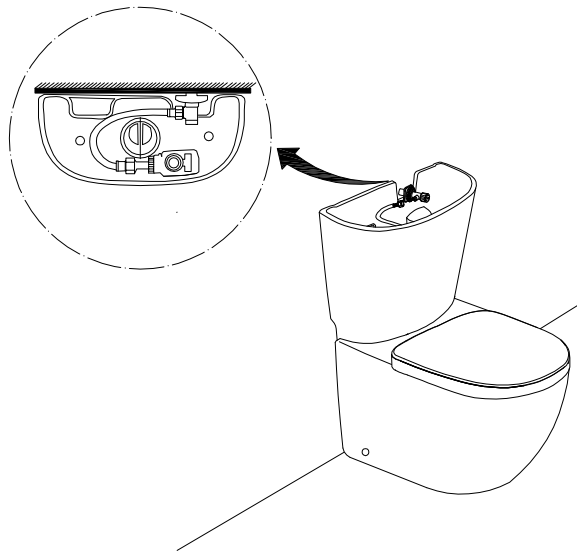
8. Installation the stop valve.



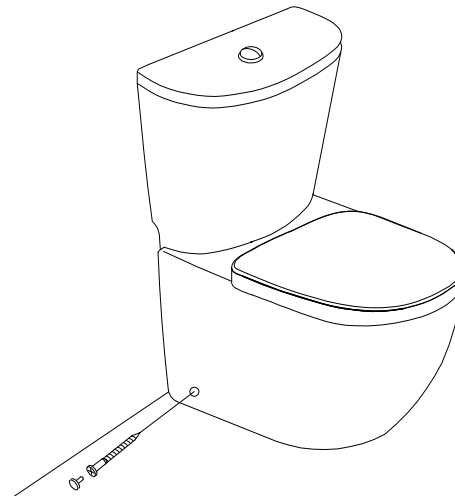
After installing the stop valve to the waiting head:
Make sure that the distance from the center of the supply wire hole to the wall is 54mm

Note: Clean the water supply hose before installing the stop valve.

9. Connect the flexible hose with the stop valve.



10. Install the screw to fix the toilet and cover the water tank.



11. Close leg by silicone.

